

TECHNICAL DATA SHEET

tyroflo

Y Strainer-700 series

Y Strainer is designed to mechanically remove solids and suspended particles from liquid. Tyroflo offers wide range of Y Strainers in HVAC for heating and cooling applications.

Flanged Type



Series	
Y-Strainer	

Body	Disc
0- Cast Iron	Stainless Steel
1- Ductile Iron	Stainless Steel

PN Rating	
0-	PN - 16
1-	PN - 25

End Connection	
T-	Threaded
F-	Flanged

Size
xxx



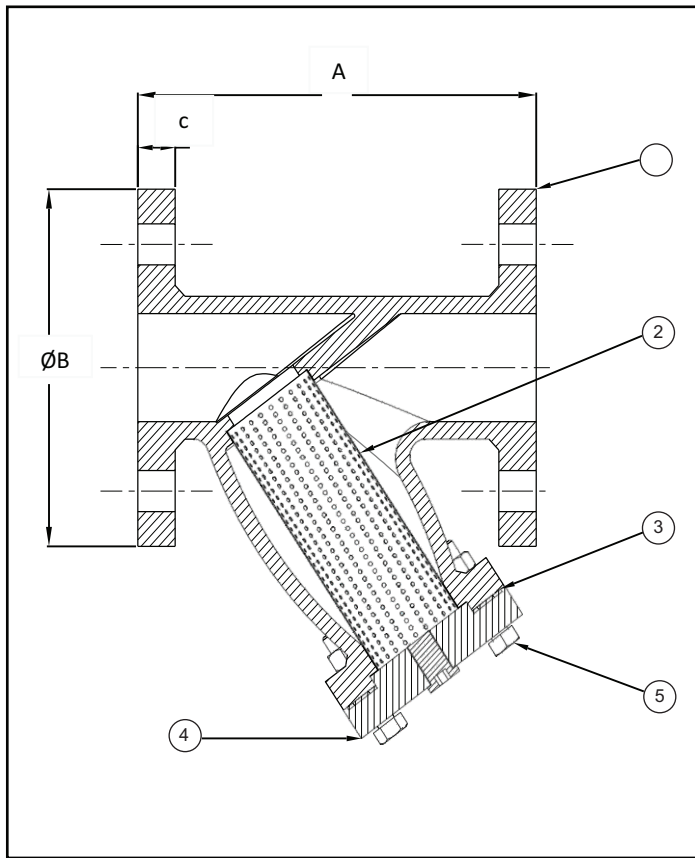
Threaded Type

Features

Type	Flange/Threaded
Pressure Rating	PN16/PN25
Shell Test Pressure	24 Bar
Seal Test Pressure	17 Bar
Medium Temperature	-10 °C to 110 °C
Suitable Media	Potable Water
Body	CI/DI
Disc	SS



Y Strainer



Technical Overview

Part No.	Part	Material
1	Body	Cast Iron
2	Strainer	SS 304
3	Gasket	EPDM
4	Cover	Cast Iron
5	Nut & Bolt	Carbon Steel

Outer Dimensions

Size	A	B	C
DN 40	205	135	16
DN 50	205	154	16
DN 65	220	160	16
DN 80	265	186	17
DN 100	330	215	20
DN 125	418	255	20
DN 150	440	285	22
DN 200	525	340	22
DN 250	725	405	25
DN 300	750	480	25
DN 350	845	535	30



Flanged Type